

LVDT Indicator | Panel Meter | Tracker 260 Series

Key Features:

- 5-Digit LED Display (-19999 to +99999)
- Input: LVDT (Differential & Ratiometric)
- Environmental Protection: IP65 (when installed)
- Sensor Excitation
- Options: Alarm Relays
- "Fast-Cal" Calibration
- Adjustable Display Resolution
- Max/Min Memory
- High Speed & Isolated Analogue Output
- 2 Logic Inputs
- Front Panel Function Buttons
- Universal Mains Power Supply
- Serial Communications & Analogue Outputs as Standard
- Dual Alarm Relays (Tracker 264)

This product has been discontinued.
Please use our [LVDT Digital Panel Meter | Universal Process | Intuitive4-P instead.](#)



- Quad TTL Alarm Outputs (Tracker 265)
- 3 Year Warranty

The Tracker 260 series of digital panel indicators are designed specifically for use with LVDT transducers. The "Fast-Cal" feature provides a fast and simple method of calibrating an indicator to the transducer at any two stroke positions. The Tracker 260 is configured for the correct transducer excitation voltage and frequency as recommended by the sensor manufacturer. As LVDT transducers can only be calibrated when in situ, the sensor is set to the mechanical "low" (zero) and then the "high" (span) positions when prompted by the Tracker 260. The measured LVDT signals values are then stored, with their relevant display values, as the calibration parameters. The Tracker 260 can also automatically set the correct input gain to suit the LVDT transducers output. The displayed values can be in millimetres, inches or any other measurement units.

The Tracker 260 series of LVDT indicators have a five digit display, transducer excitation supply and many software features including max/min memory and maths functions. All models are fitted with two analogue outputs: a high speed analogue output for monitoring fast changes of sensor movement and a separate, electrically isolated, scaleable analogue output. The serial RS 422/485 communications interface allows connection to data loggers, PLCs and computers. Two logic inputs are provided to allow remote control of user selectable functions. In addition, two of the front panel push buttons can be user defined to allow fast access to pre-programmed functions. For 2 alarm relays try our Tracker 264 and for 4 TTL alarm outputs use our Tracker 265.

We can supply a wide range of suitable LVDT transducers for use with the Tracker 260 series, please speak to our [technical sales team](#).

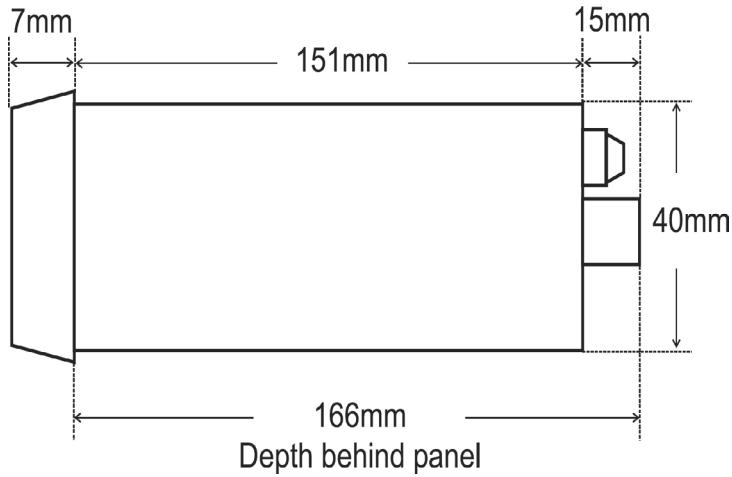
Options:

- Tracker 264 has 2 Alarm Relays
- Tracker 265 has 4 Alarm Relays

Specification:

CHARACTERISTICS	TRACKER 260	UNITS
Display	5 digit LED, 14.7mm high red as standard or green (option) (-19999 to +99999)	
Display Update Rate:	User selectable 2, 4 or 10	Per second
Display Filter:	User adjustable 0 (off) to 999	seconds
LVDT Input		
Input Voltage Range:	0.05V to 5Vrms	
Gain Ranges:	1, 5, 10 & 100	Automatic or manual gain setting facilities
Non Linearity:	<±0.02%	
Temperature Drift:	<±0.005	% FSO per °C
Stability:	<±0.01	% FSO after 15 minutes
Transducer Supply:	Selectable 3.0 or 5 Volt	rms. @ 25mA
Supply Frequency:	User Selectable 2.5 or 5.0	Khz
Measurement Resolution:	Better than 1 part in 120,000	
Measurement Rate:	10	readings per second
Measurement Modes:	User Selectable 4 wire differential or 5 wire ratiometric	
Isolated Analogue Output		
Isolation:	500Vdc/Peak ac	
Output:	User Selectable 0-10V, 0-20mA or 4-20mA	
Accuracy:	Better than 0.2%	
Temperature Drift:	<100	ppm per °C
Response:	63% within 32mS, 99% within 100mS	
Resolution:	0.05% (5mV or 0.01mA)	
Maximum Voltage Output:	11V @ 22mA	
Maximum Current Output:	22mA @ 18V	
Maximum Load:	900	Ω
Serial Communications		
Type:	RS 422/485, 2 or 4 wire multidrop	
Isolation:	500Vdc/Peak ac	
Speed:	1200, 2400, 4800, 9600 baud	
Parity:	Odd, even or none	
Stop Bits:	1 or 2	
Protocols:	User selectable for MODBUS (RTU or ASCII), J-BUS and DTPI (Data Track Process Instruments)	
Power Requirements:	Universal 90 to 265Vac 50 or 60 Hz @ 12VA nominal	
Environment		
Operating Temperature:	+10 to +50	°C
Storage Temperature:	-10 to +70	°C
Storage Conditions: Humidity	95	% RH non condensing
Environmental Protection:	Front Panel IP65	
Safety and EMC		
Safety:	EN61010	
Susceptibility:	EN50082-1 & 2	
Emissions:	To EN50081-1 & 2, EN50022 Class A for Radiated and Conducted	
CE Certified:	CE Certified 1997	
Physical		
Dimensions:	48 (H) x 96 (W) x 173 (D)	mm
Dimensions Panel Cut-Out:	44 (H) x 92 (W)	mm
Weight:	0.4 (max), packed weight 0.55	kg

Dimensions (mm):



Ordering Codes:

Tracker-263-R	263	-	1	-	R
Model Number					
Tracker-263 LVDT Indicator	263				
Tracker-264 LVDT Indicator with Dual Alarm Relays	264				
Tracker-265 LVDT Indicator with Quad TTL Alarm Outputs	265				
Power Supply Option					
90 - 265 Vac			1		
10 - 32 Vdc			2		
Display Colour					
R = Red (Standard)					R
G = Green					G

Associated Products:



[AML/M Miniature LVDT Displacement Sensor](#)



[IL4-P Low Cost LVDT Indicator](#)



[AML/E Standard LVDT Displacement Sensor](#)



[PCC Portable Desktop Enclosure](#)



[AML/IE Industrial LVDT Displacement Sensor](#)