

Low Cost Strain Gauge Indicator | Intuitive-Lite4-L

Key Features:

- 4, 5 or 6-Digit LED Display (± 199999)
- Simple Single Layer Menu for Easy Setup
- Power: 95-265Vac or 11-30Vdc
- Improved Performance with its 10 Point Linearisation
- Scale and Offset Independent of Calibration
- Environmental Protection: IP65 (when installed)
- 10Vdc Load Cell Excitation @ 120mA max.
- Powers up to 4 x 350ohm Load Cells
- Portable Desktop Enclosure
- Compatible with any Strain Gauge Based Transducers
- Robust Construction



If you want a simple to use precision display then the [Intuitive-Lite4-L](#) is ideal. With no additional plug-in options it makes the display really simple to use and even simpler to setup. It features a single layer menu making it easy to find relevant information when you need it.

Like our other Intuitive 4 units, it comes with a 10 point linearisation delivering improved performance and accuracy for your application. It has a red or green LED display and can be AC or DC powered.

Scale and Offset can be set by the user independently of the calibration. In addition, more filtering and logic inputs are available within the indicator.

Our 3-year warranty applies to the Intuitive-Lite4-L and to any of our extensive range of transducers supplied with it, please [contact our sales team](#).

Industries:

- Automotive
- Agriculture
- Silo and Weighing Industry
- Construction
- Alternative Energy
- Civil Engineering
- Lifting and Handling
- Waste Management

Applications:

- Weighing Platforms
- Vessel Weighing Systems
- Weighbridges
- Conveyor Weighing Systems
- Bridge Structure Monitoring
- Waste Management Systems
- Lifting and Handling
- Monitoring of Anchor Loads
- Truck Load Weight Monitoring
- Skip Weighing System
- Multi-Cell or Multi-Transducer Installations
- Monitoring of Building Foundations
- Force Measurement in Formula Racing
- Silo Weighing
- Measuring the Power Output of a Motor
- Weighing Platforms
- Vessel Weighing Systems
- Weighbridges

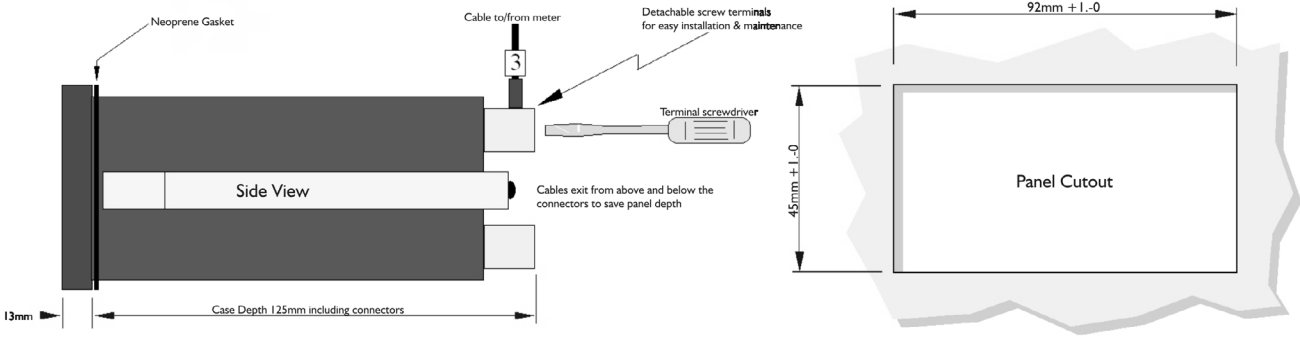
Specification:

| CHARACTERISTICS | INTUITIVE-LITE4-L | UNITS |
|----------------------------|---|---------------------------------|
| Display | 6 digit, 7 segment LED, 14mm high (-199999 to +199999) | |
| Resolution | 1:400,000 max. (bipolar) | |
| Display Update Rate: | 10/second | |
| Accuracy | <±0.05 | % of range of mV input |
| Bridge Excitation | 10.0±0.1% (option: 5.0±0.1%) | Volts dc |
| Maximum Excitation Current | 120.0 | mA |
| Input Range | 0.5-4 | mV/V for max. display reading |
| Input Impedance | >10 | Megaohms |
| Digital Filtering | 0 to 5 (adjustable) | Seconds effective time constant |
| Display Count By | 1, 2, 5, 10, 20, 50 digits (selectable) | |
| Operating Temperature | 0 to +50 | °C |
| Thermal Drift | Span = 25, Zero = 30 | ppm/°C |
| Operating Voltage | 100-240VAC (11-30VDC optional) | |
| Environmental Protection | IP65 (IP67 optional) | |
| Weight | 300 | Grams |
| Panel Cutout | 1/8 DIN (92mm x 45mm + I/-0) | |
| Features | Tare facility, peak & valley detection, 10-point linearisation, | |

Ordering Codes:

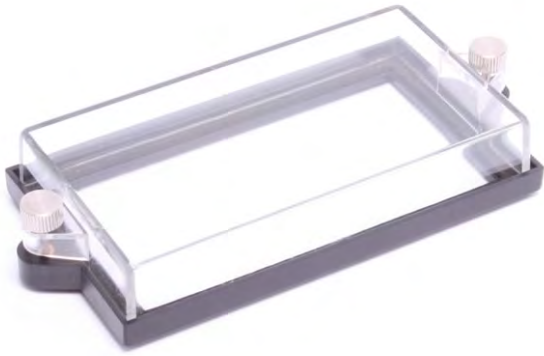
| IL4-L-R-AC | IL4 | - | L | - | R | - | AC | - | 0 |
|---|------------|---|----------|---|----------|---|-----------|---|-----------|
| Product Family <i>Example Code</i> | | | | | | | | | |
| IL4 | IL4 | | | | | | | | |
| Input Version | | | | | | | | | |
| L = Load Cell Input | | | L | | | | | | |
| P = Process Input | | | P | | | | | | |
| C = Counter/Rate Input | | | C | | | | | | |
| Display Colour | | | | | | | | | |
| R = Red | | | | | R | | | | |
| G = Green | | | | | G | | | | |
| Supply Voltage | | | | | | | | | |
| AC = 100-240Vac Universal Mains Supply | | | | | | | AC | | |
| DC = 11-30Vdc | | | | | | | DC | | |
| Options | | | | | | | | | |
| 0 = None | | | | | | | | | 0 |
| 5VEXC = 5V Excitation Output | | | | | | | | | 5VEXC |
| Plainlens = Plain Front Cover (no buttons) | | | | | | | | | Plainlens |
| POT = 3 Wire Potentiometer Input (IL4-P only) | | | | | | | | | POT |
| SPC4 = IP67 Front Panel Cover | | | | | | | | | SPC4 |
| WALLBOX = IP65 Wall-Mounted Enclosure | | | | | | | | | WALLBOX |

Dimensions (mm):



Accessories:

SPC4: IP67 Splash-Proof Cover:

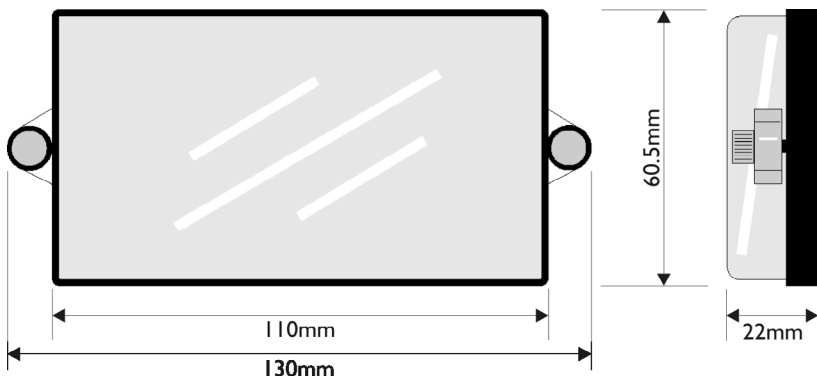


- Fits all Intuitive2 and Intuitive4 Indicators
- Low Cost
- Easy to Install
- Immersion Protected up to 1 metre
- Impact Resistant
- Fits Most 1/8 DIN Meters
- Non-Ferrous Parts for Longer Life
- Anti-Scratch Coating
- 3 Year Warranty

The SPC4 offers a low cost and robust method of sealing the front of all Intuitive2 and Intuitive4 indicators, along with most other manufacturers' 1/8 DIN size panel meters. The design uses all corrosion-resistant materials for longer life, meaning less maintenance. You can easily fit it to existing installations, or include it as a value-added accessory for new systems.

The panel cutout is the standard hole size for the panel meter, so no changes to the panel are needed. The front window is detachable, permitting adjustments to be made to the panel meter during commissioning and is held firmly in place by two knurled captive screws which resist accidental side or front impact.

The window and the holding frame are both moulded from a high impact resistant material. And, to give good reliability, the female threaded sections are made from marine brass and are moulded deep into the frame itself. Highly flexible and resilient neoprene gaskets firmly bonded to the inner and outer faces of the frame provide the reliable sealing effect, while for excellent clarity and resistance to scratching the covers are coated with a special anti-suff treatment.



PCC: Portable Desktop Enclosure:



- Fits All Intuitive2 and Intuitive4 Indicators
- Portable
- Fused IEC Power Input
- Robust Construction
- Supply Fully-Wired and Ready to use
- Attractive Styling
- 3 Year Warranty

The PCC range of portable desktop instrument cases are designed specifically to suit our Intuitive2 and Intuitive 4 range of digital indicators and are available in a range of formats for housing anything from single meter to suit simple measuring systems up to a bank of 12 meters for multiple-sensors in industrial process monitoring applications. Specially designed cases for greater numbers of meters can be offered if required - please contact sales to discuss your application in detail.

All cases are fitted with a fused IEC mains input and a single sensor connection per indicator as standard, while reset buttons, lights, alarm sounders, rotary selection switches and integral battery power/backup are just some of the options that can be added to suit your specific requirements.

| | | |
|--|--------------|--------------------------------------|
| | Model: PCC1 | Dimensions: W200mm x H65mm x D185mm |
| | Model: PCC2 | Dimensions: W300mm x H65mm x D185mm |
| | Model: PCC4 | Dimensions: W300mm x H145mm x D220mm |
| | Model: PCC6 | Dimensions: W510mm x H145mm x D220mm |
| | Model: PCC12 | Dimensions: W685mm x H240mm x D280mm |

Associated Products:



[AML/SGD Strain Gauge Displacement Sensor](#)



[INT4-L Strain Gauge Digital Indicator](#)



[PCC Portable Desktop Enclosure](#)